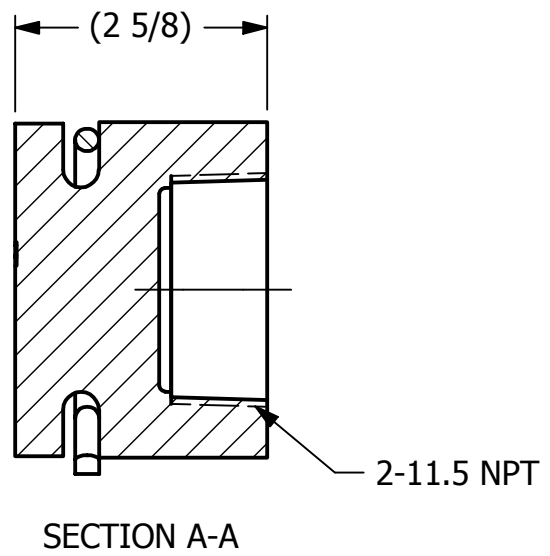
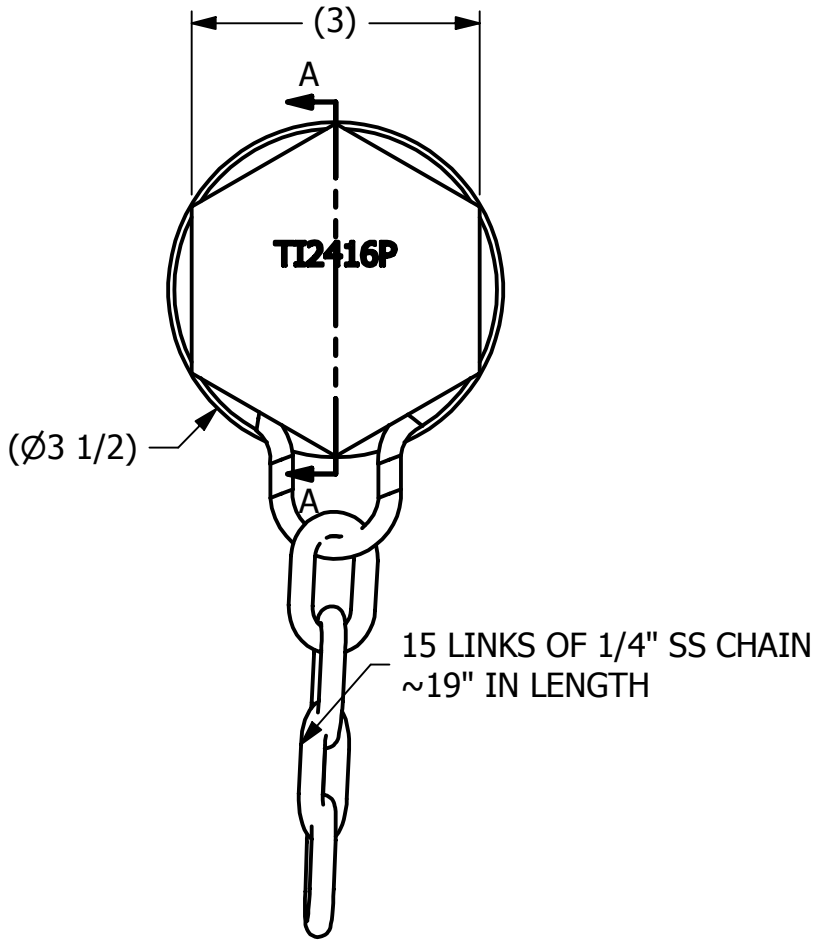


SALES DRAWING

SALES DRAWING



B

B

A

A

A	JG	10-6-15	UPDATED TITLEBLOCK, MARKING NOTES
REV	BY	DATE	DESCRIPTION

<small>UNLESS OTHERWISE SPECIFIED DIMENSIONAL TOLERANCES FRACTIONAL: ±1/16 X.XX: ±.03 X.XXX: ±.015 ANGULAR: ±1° DEBURR ALL SHARP EDGES. ALL MACHINED SURFACES TO HAVE A 125 RMS FINISH UNLESS NOTED OTHERWISE. THIRD ANGLE PROJECTION</small>	DRAWN BY:	CHL
	CHECKED BY:	ACC
	PROTOTYPE BY:	CHL
	PROTOTYPE DATE:	2/13/2003
	APPROVED FOR PRODUCTION BY:	ACC
	PRODUCTION DATE:	2/13/2003

SALCO PRODUCTS, INC.		
PART NAME: PIPE CAP ASSEMBLY 2"		
MATERIAL: 416 SS/ 18-8 SS		
PROJECT #: 030111	SHEET #: 1 OF 1	SCALE: 1:1
DRAWING #: A17566	PART #: TI2416P0A	

THIS PRINT, PROPERTY OF SALCO PRODUCTS INC, CONTAINS PROPRIETARY INFORMATION AND MUST NOT BE COPIED, REPRODUCED, OR USED DETRIMENTALLY TO OUR INTEREST.

2

1